

RS200

Room Probe



RS200 Room Probe

The Room Probe (RS) interfaces to the Air Data Router (ADR) for discrete room level sensing of temperature (OSC100 Structured Cable only for applications requiring temperature), and for drawing air samples back to the Sensor Suite (SST) through the OSC100 with its patented MicroDuct[®] contained within the Structured Cable. Depending on the configuration of the SST, many additional environmental parameters can be monitored “virtually” such as carbon dioxide (CO₂), carbon monoxide (CO), dewpoint temperature, relative humidity (RH), small particles, and total volatile organic compounds (TVOCs). The RS is designed with an architecturally pleasing semi-flush mounted cover that can be optionally painted to match the interior room finishes. The RS also supports connections to OT100 Tubing used in applications involving only CO₂ and/or CO measurement as the virtual parameter.

Features



Semi-flush mounted cover with custom painting options



In-line stainless steel coarse filter



RTD sensing elements



Compatible with OSC100 and OT100 air sampling mediums

Ordering Guide

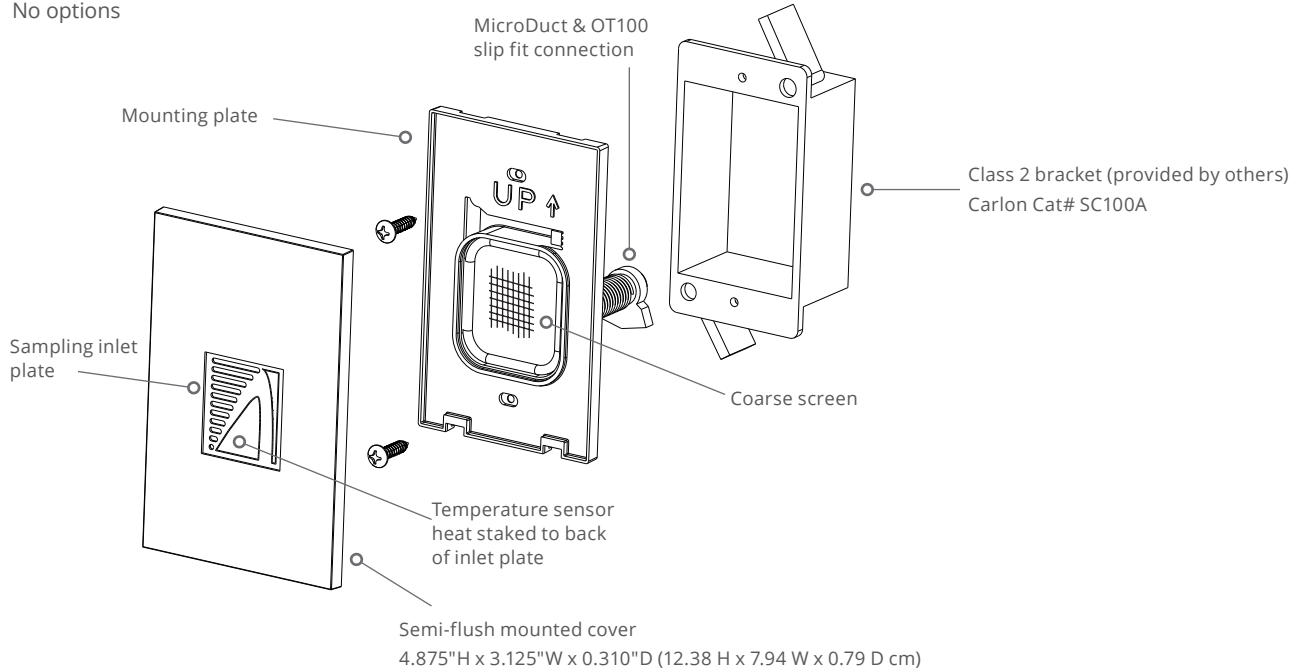
RS 200-X-X

Base Number _____
Series Number _____
Temp Sensor Element _____

RTD Platinum resistance temperature detector
NS No temperature sensor, virtual sensing only. Includes cover, filter, and mounting base.

Options _____

CPC Custom Painted Cover
Blank No options



Specifications

Electrical

Power

RTD model: ± 12 Vdc from ADR
NS model: no power required

Power Consumption

RTD model: 0.25 VA
NS model: 0.0 VA

Sensors

Temperature

Platinum RTD: range -30°-130°F (-34°-54°C)
Accuracy: $\pm 0.30^\circ\text{F}$ ($\pm .17^\circ\text{C}$)
Virtual: refer to the Sensor Suite Sensor data sheets

Connections

Wiring: 4-position screw-down connector
MicroDuct and OT100 Compatibility: slip fit

Materials

Cover: UL listed molded polycarbonate
Sampling Plate: clear anodized aluminum
Filter: coarse screen/304 stainless steel

Regulatory Compliance

FC Part 15 Class A
CE