



OptiNet®
Optimizing Ventilation Performance



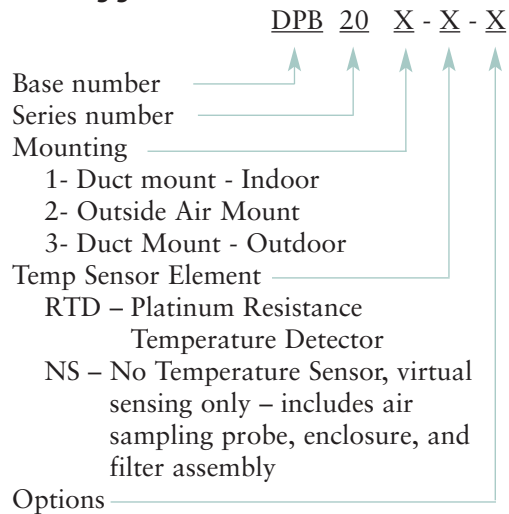
FEATURES

- Duct or Outside Air mounted assembly for sensing both discrete and virtual conditions
- Designed to operate with the ADR400 Router
- Provides MicroDuct® termination point, enabling virtual sensing

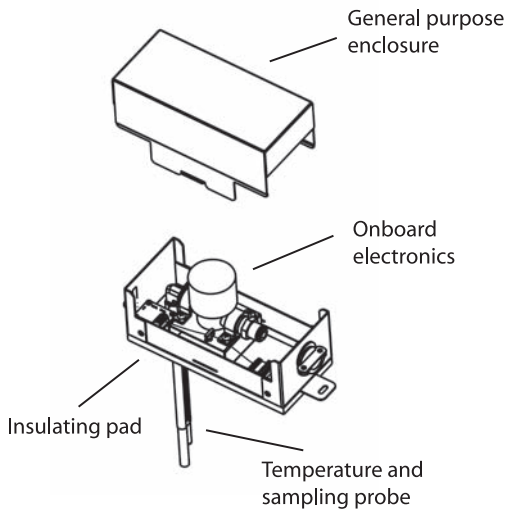
DPB200 Duct Probe

The DPB200 Series Duct Probe interfaces to the ADR400 Router for discrete sensing of temperature, and for drawing air samples back to the SST700 Sensor Suite through the patented MicroDuct® communications path. Depending on the configuration of the Sensor Suite, many additional environmental parameters can be monitored “virtually” such as carbon dioxide (CO₂), carbon monoxide (CO), dewpoint temperature, relative humidity (RH); small particles, and total volatile organic compounds (TVOCs). The probes can be mounted directly on a duct, or in outdoor environments.

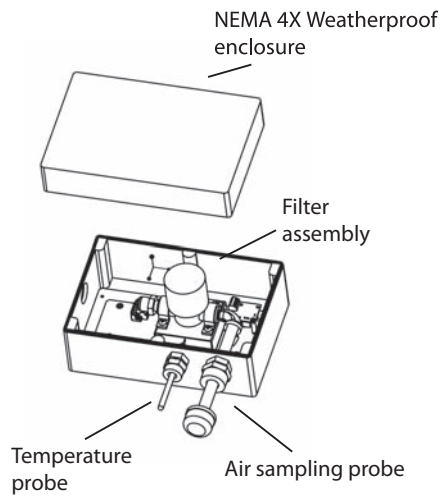
Ordering guide



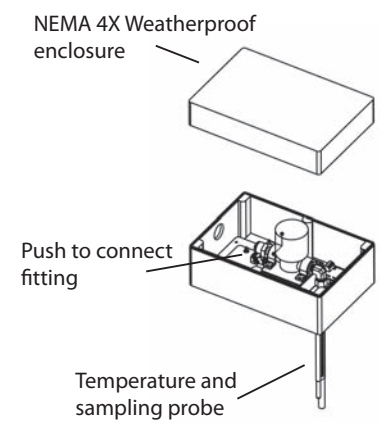
Blank = no options



DPB 201
Duct mount (indoor)



DPB 202
Outside air mount



DPB 203
Duct mount (outdoor)

SPECIFICATIONS

Sensors

Temperature:
Platinum RTD: range -30° – 130°F (-34° – 54°C)
Accuracy: ± .30°F (± .17°C)
Virtual: Refer to the Sensor Suite Sensors data sheet.

Electrical

Power: ±12Vdc from ADR400 Air Data Router
Power Consumption: 0.25 VA

Connections

Wiring: 4-position screw down connector
MicroDuct®: Push-to-connect fitting

Enclosure

DPB201 - Duct mount (indoor)
General purpose
DPB202 - Outside air mount
ABS Weatherproof NEMA 4X
DPB203 - Duct mount (outdoor)
ABS Weatherproof NEMA 4X

Filter

Replaceable coarse screen
304 Stainless Steel