



## OptiNet® Optimizing Ventilation Performance



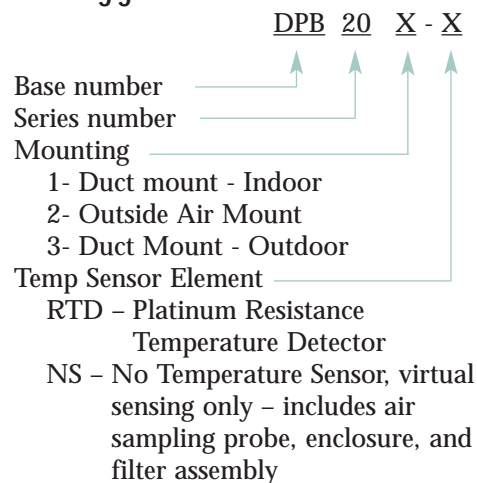
### FEATURES

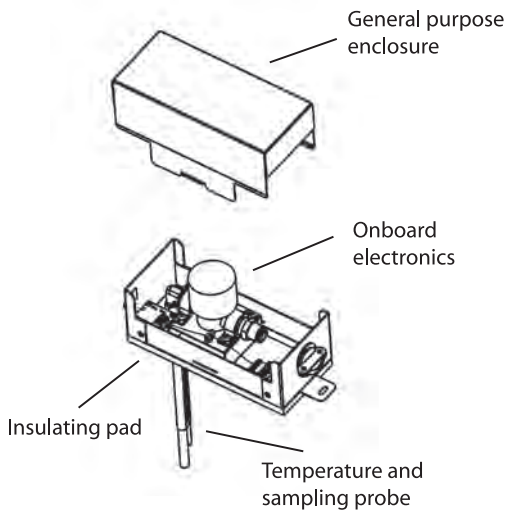
- Duct or Outside Air mounted assembly for sensing both discrete and virtual conditions
- Designed to operate with the ADR500 Router
- Provides MicroDuct® termination point, enabling virtual sensing

## DPB200 Duct Probe

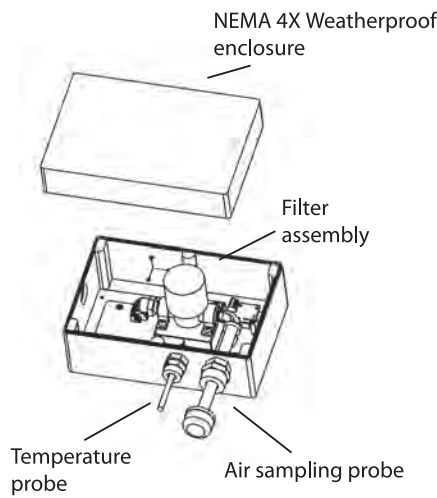
The DPB200 Series Duct Probe interfaces to the ADR500 Router for discrete sensing of temperature, and for drawing air samples back to the SST Series Sensor Suite through the patented MicroDuct® communications path. Depending on the configuration of the Sensor Suite, many additional environmental parameters can be monitored “virtually” such as carbon dioxide (CO<sub>2</sub>), carbon monoxide (CO), dewpoint temperature, relative humidity (RH); small particles, and total volatile organic compounds (TVOCs). The probes can be mounted directly on a duct, or in outdoor environments.

### Ordering guide

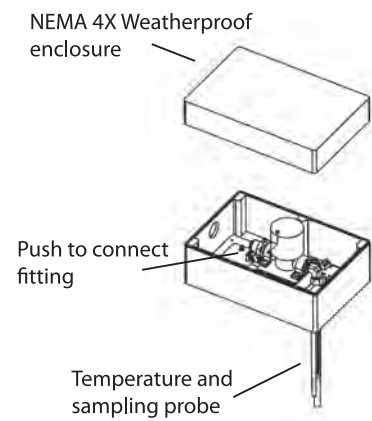




**DPB 201**  
Duct mount (indoor)



**DPB 202**  
Outside air mount



**DPB 203**  
Duct mount (outdoor)

## SPECIFICATIONS

### Sensors

**Temperature:**

Platinum RTD: range -30° – 130°F (-34° – 54°C)

Accuracy: ± .30°F (± .17°C)

**Virtual:** Refer to the Sensor Suite Sensors data sheet.

### Electrical

**Power:** ±12Vdc from ADR500 Air Data Router

**Power Consumption:** 0.25 VA

### Connections

**Wiring:** 4-position screw down connector

**MicroDuct®:** Push-to-connect fitting

### Enclosure

**DPB201** - Duct mount (indoor)

General purpose

**DPB202** - Outside air mount

ABS Weatherproof NEMA 4X

**DPB203** - Duct mount (outdoor)

ABS Weatherproof NEMA 4X

### Filter

Replaceable coarse screen

304 Stainless Steel