

DPB200


Duct Probe



DPB200 Duct Probe


The Duct Probe (DPB) interfaces to the Air Data Router (ADR) for discrete room level sensing of temperature (OSC100 Structured Cable only for applications requiring temperature), and for drawing air samples back to the Sensor Suite (SST) through the OSC100 with its patented MicroDuct® contained within the Structured Cable. Depending on the configuration of the Sensor Suite, many additional environmental parameters can be monitored “virtually” such as carbon dioxide (CO₂), carbon monoxide (CO), dewpoint temperature, relative humidity (RH), small particles, and total volatile organic compounds (TVOCs). With the use of OT-E11 enlarger fittings, the DPB also supports connections to OT100 Tubing used in applications involving only CO₂ and/or CO measurement as the virtual parameter. The probes can be mounted directly on a duct or in outdoor environments.

Features

 Duct or facade mounted assembly for sensing both discrete and virtual conditions

 In-line stainless steel coarse filter

 RTD sensing elements

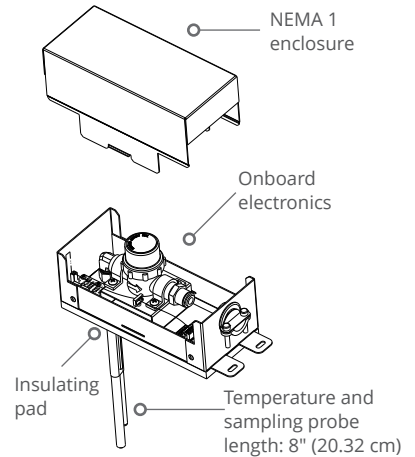
 Compatible with OSC100 and OT100 air sampling mediums

Ordering Guide

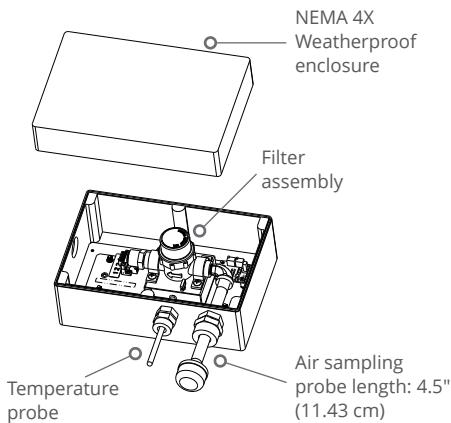
DPB 20 X-X

- Base Number _____
- Series Number _____
- Mounting _____
- 1 Duct Mount: Indoor - Single/double wall duct 10" (25.4 cm) or larger
 - 2 Facade Mount: Outdoor
 - 3 Duct Mount: Outdoor
 - 4 Duct Mount: Indoor - Single wall duct of all sizes 4" or greater
- Temp Sensor Element _____
- RTD** Platinum Resistance Temperature Detector
- NS** No temperature sensor, virtual sensing only. Includes air sampling probe, enclosure, and filter assembly.

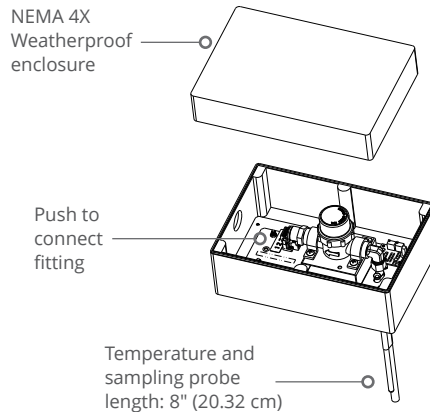
DPB 201 Duct mount (indoor)



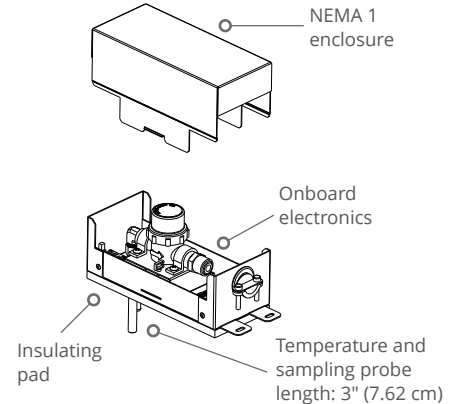
DPB 202 Facade mount (outdoor)



DPB 203 Duct mount (outdoor)



DPB 204 Duct mount (indoor)



Specifications

Electrical

Power: ±12 Vdc from ADR

Power Consumption: 0.25 VA

Sensors

Temperature

Platinum RTD: range -30°-130°F (-34°-54°C)

Accuracy: ± 0.30°F (± .17°C)

Virtual: Refer to the Sensor Suite Sensor data sheets

Connections

Wiring: 4-position screw-down connector

MicroDuct®: Push-to-connect fitting

OT100: Push-to-connect fitting. When connecting to OT100 an adapter kit (OT-E11) must be separately purchased.

Filter

Coarse screen/304 stainless steel

Enclosure

DPB201: Duct mount (indoor) NEMA 1, Galvanized
10.25"L x 3.625"W x 4.125"D (26.04 L x 9.21 W x 10.48 D cm)

DPB202: Facade mount (outdoor)
NEMA 4X Weatherproof, ABS Plastic
9.5"L x 6.25"W x 4.625"D (24.13 L x 15.88 W x 11.75 D cm)

DPB203: Duct mount (outdoor)
NEMA 4X Weatherproof, ABS Plastic
9.5"L x 6.25"W x 4.625"D (24.13 L x 15.88 W x 11.75 D cm)

DPB204: Duct mount (indoor) NEMA 1, Galvanized
10.25"L x 3.625"W x 4.125"D (26.04 L x 9.21 W x 10.48 D cm)

Regulatory Compliance

FC Part 15 Class A

CE