



OptiNet®
Optimizing Ventilation Performance



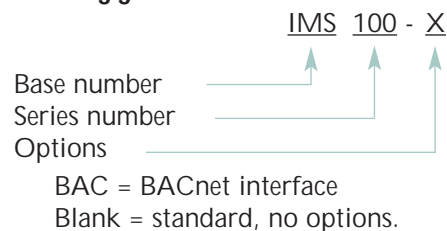
FEATURES

- Compact size, small form factor
- Intel® based processor
- Windows® XP operating system

IMS100 Information Management Server

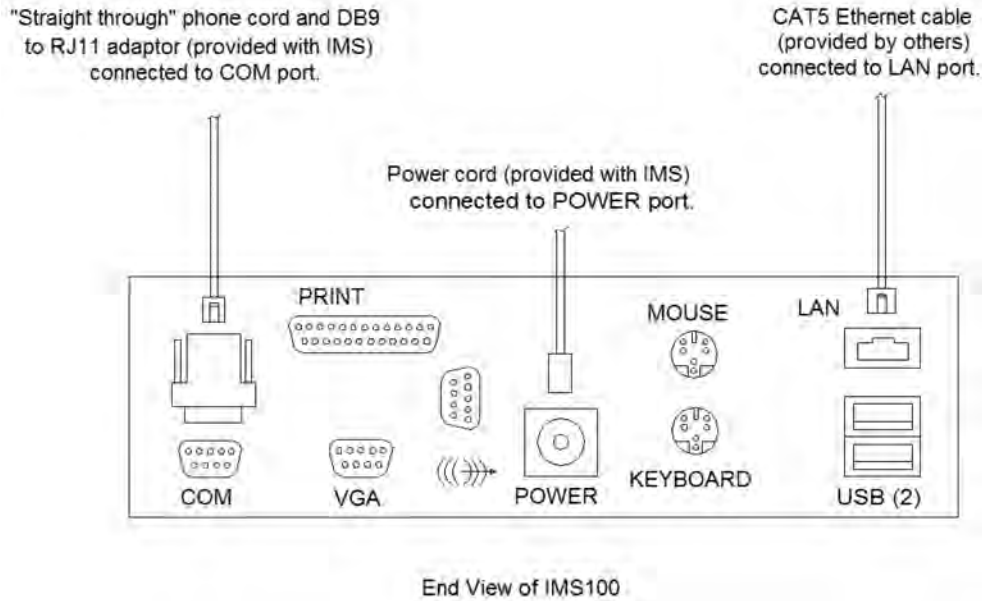
The IMS100 Information Management Server provides network management of SST Series Sensor Suites, and integration to a facility's Building Management System. A wealth of sensor data is transmitted from the network to the IMS100 Information Management Server with the capability to communicate that information to a Building Management System through a BACnet® interface. Additionally, the server is the interface between the OptiNet system and the Internet based Aircurity Knowledge Center™. Access to Aircurity's Knowledge Center through a standard web browser provides a portal to the facility's data for viewing diagnostics and complete building performance evaluation reports.

Ordering guide



Commissioning software

SensorWorks™ is OptiNet's user interface tool for adding, deleting, and editing test area parameters and configuration information. The tool is used for commissioning any new installation and for modifications and changes to existing systems. The software is loaded on a laptop for access at the server level.



SPECIFICATIONS

Processor

Intel Celeron Processor – 1.2GHz

Memory

256 MB SDRAM

Internal Storage

2.5" Hard Disk Drive 40GB

Video

Onboard (DB15) SVGA

I/O Ports

- 2 - Serial RS-232
- 1 - Parallel
- 1 - PS/2 for Keyboard
- 1 - PS/2 for Mouse
- 3 - USB 1.1 Ports, 1 front, 2 rear
- 1 - Firewire, IEEE-1394

Ethernet Port

Intel 10/100, RJ-45 Connector

Operating Temperature

Operating temperature: 10°C ~ 35°C
 Non-operating temperature: - 40°C ~ 70°C
 Non-operating humidity: 20% ~ 90%
 (non-condensing)

Operating System

Windows XP

Dimensions

9.84" x 5.75" x 1.65"
 (250mm x 146 mm x 42mm) L x W x H

Chassis Description

Ultra light extruded aluminum
 Power on, reset button on and HDD LED's
 Cooling Fans: Internal CPU only

Power Input

+12Vdc (mini-jack input)
 AC Adapter 100~240 Volts AC Input,
 12Vdc @5A output

Network Communications

Interface: OptiNet RS-485 through RS232 convertor

Speed: 19.2K baud

Media: OptiNet – Structured cable with composite 22ga twisted shielded pair

Facility interface: Ethernet 10/100