

## OptiNet™

Optimizing Ventilation Performance



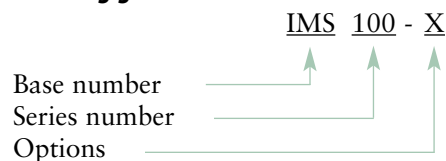
### FEATURES

- Compact size, small form factor
- Intel® based processor
- Windows® XP operating system

## IMS100 Information Management Server

The IMS100 Information Management Server provides network management of SST700 Sensor Suites, and integration to a facility's Building Management System. A wealth of sensor data is transmitted from the network to the IMS100 Information Management Server with the capability to communicate that information to a Building Management System through a BACnet® interface. Additionally, the server is the interface between the OptiNet system and the Internet based Aircurity Knowledge Center™. Access to Aircurity's Knowledge Center through a standard web browser provides a portal to the facility's data for viewing diagnostics and complete building performance evaluation reports.

### Ordering guide



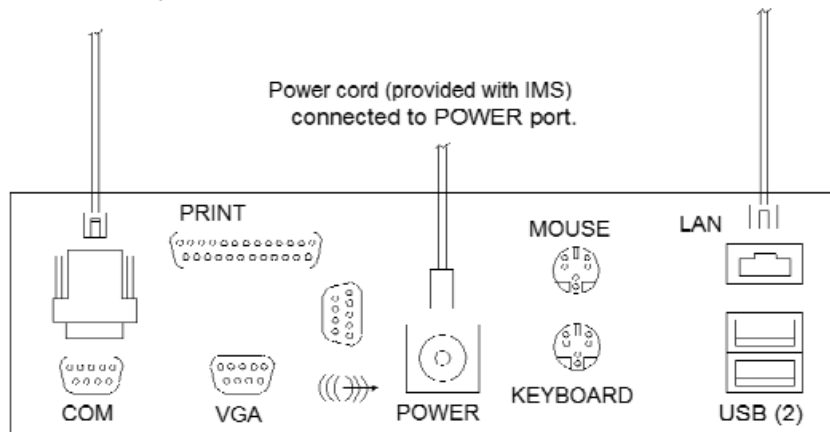
**Blank** = standard, no options.  
**BAC** - BACnet interface

### Commissioning software

SensorWorks™ is OptiNet's user interface tool for adding, deleting, and editing test area parameters and configuration information. The tool is used for commissioning any new installation and for modifications and changes to existing systems. The software is loaded on a laptop for access at the server level.

"Straight through" phone cord and DB9 to RJ11 adaptor (provided with IMS) connected to COM port.

CAT5 Ethernet cable (provided by others) connected to LAN port.



End View of IMS100

## SPECIFICATIONS

### Processor

Intel Celeron Processor – 1.2GHz

### Memory

256 MB SDRAM

### Internal Storage

2.5" Hard Disk Drive 40GB

### Video

Onboard (DB15) SVGA

### I/O Ports

- 2 - Serial RS-232
- 1 - Parallel
- 1 - PS/2 for Keyboard
- 1 - PS/2 for Mouse
- 3 - USB 1.1 Ports, 1 front, 2 rear
- 1 - Firewire, IEEE-1394

### Ethernet Port

Intel 10/100, RJ-45 Connector

### Operating Temperature

- Operating temperature: 10°C ~ 35°C
- Non-operating temperature: - 40°C ~ 70°C
- Non-operating humidity: 20% ~ 90% (non-condensing)

### Operating System

Windows XP

### Dimensions

9.84" x 5.75" x 1.65"  
(250mm x 146 mm x 42mm) L x W x H

### Chassis Description

- Ultra light extruded aluminum
- Power on, reset button on and HDD LED's
- Cooling Fans: Internal CPU only

### Power Input

- +12Vdc (mini-jack input)
- AC Adapter 100~240 Volts AC Input, 12Vdc @5A output

### Network Communications

- Interface: OptiNet RS-485 through RS232 convertor
- Speed: 19.2K baud
- Media: OptiNet – Structured cable with composite 22ga twisted shielded pair
- Facility interface: Ethernet 10/100